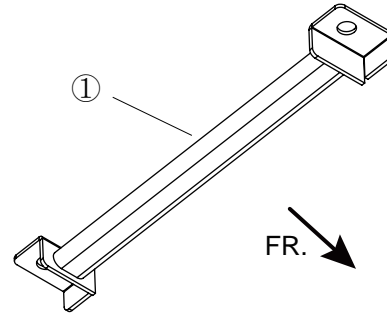


Application 適用車型

Suzuki Swift (ZC33) '17-present
Suzuki Baleno '15-present

Components 內含配件

① Mid-lower brace 中下拉桿 1PCS



Caution 注意事項

- Installation is recommended to be performed by licensed mechanics with necessary tools to ensure proper installation and safety, or damage to the product or vehicle may occur.
- Note the routing and position of wires and cables before installation. Please refer to factory manual.
- Tighten bolts and nuts firmly using handtools, or with specified torque if mentioned.
- 安裝需由合格的專業技師及工具執行以確保安裝正確及安全，否則可能對產品或車輛造成傷害。
- 安裝前請記下線路安裝路徑及位置，或請參考原廠手冊。
- 請使用手動工具確實鎖緊螺帽及螺絲，或依照說明中標註的扭力上鎖。

Instructions 安裝說明

1. Jack up the vehicle and then remove the two bolts from the floor panel. (See figure 1)
將車輛升起後拆卸位於車底板的兩個螺絲。(請參照圖表一)



2. Attach ① Middle lower brace to the vehicle and then reinstall the original bolts. (See figure 1&2)
將 ① 前樑兩點拉桿 裝上車輛後，沿用原螺絲將拉桿鎖上車底板。(請參照圖表一及圖表二)

