

# Installation Instructions

## 安裝說明書

RR. LOWER STRUCTURE BRACE

後下兩點拉桿

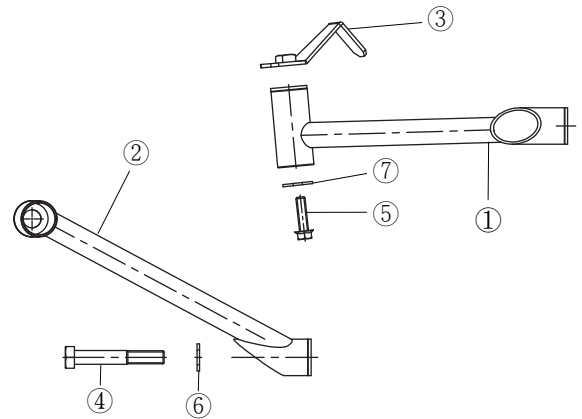
#8937

### Application 適用車型

Subaru Forester SJ '13-18

### Components 內含配件

① Brace-RH 拉桿桿身-右	1PCS
② Brace-LH 拉桿桿身-左	1PCS
③ Bracket 拉桿支架	2PCS
④ Bolt 螺絲 (M12x1.25x80)	2PCS
⑤ Bolt 螺絲 (M8x1.25x30)	2PCS
⑥ Washer 華司 (24x13x2.6)	2PCS
⑦ Washer 華司 (26x8.4x2)	2PCS



### Caution 注意事項

- Installation is recommended to be performed by licensed mechanics with necessary tools to ensure proper installation and safety, or damage to the product or vehicle may occur.
- Note the routing and position of wires and cables before installation. Please refer to factory manual.
- Tighten bolts and nuts firmly using handtools, or with specified torque if mentioned.
- 安裝需由合格的專業技師及工具執行以確保安裝正確及安全，否則可能對產品或車輛造成傷害。
- 安裝前請記下線路安裝路徑及位置，或請參考原廠手冊。
- 請使用手動工具確實鎖緊螺帽及螺絲，或依照說明中標註的扭力上鎖。

### Instructions 安裝說明

1. Remove the rear lower rear control arm inner bolts on both sides.  
(See the upper arrow in figure 1)  
拆卸後下後控制臂內側的螺絲。(請參考圖表一上方箭頭)
2. Insert supplied ③ Brackets to the rectangular holes of rear sub-frame, then align the nuts of the brackets to the round holes.  
(See figure 2 and the lower arrow in figure 1)  
於後副車架兩側的長方形孔中置入配件 ③ 拉桿支架，並調整位置使支架螺母部分對準圓孔。(請參考圖表一下方箭頭以及圖表二)
3. Position ① & ② Brace to the vehicle. (See figure 3)  
安裝 ① & ② 拉桿桿身。(請參考圖表三)
4. Install supplied ⑤ Bolts & ⑦ Washers to the front of the the brace. For the rear part, install ④ Bolts & ⑥ Washers from the rear side of the control arm mounts and thighten with the removed factory nuts from the front side.  
將配件 ⑤ 螺絲及 ⑦ 華司安裝於桿身前端，後端部分使用配件 ④ 螺絲及 ⑥ 華司由控制臂鎖孔後方置入，並沿用已拆下的原廠螺帽由前方鎖緊。

